

End fittings

Max. torque

Notes:

Warning !

Sections of driveline marked are not shielded and must be shielded by an interactive guarding system.
COMER spa declines responsibility if proper guards are not provided or maintained.

Tractor	Cod: C12	-
Implement	Cod: C12	-

CERTIFIED

Features

Series:	T
Type:	20
Code:	07.225.034.11
Description:	T201210ENC12C12
Customer's code:	-
Colour:	Black

Last drawing

Index: - Date: -

Application

-

Driveline data

X	1 3/8" Z6 DIN 9611
Y	1 3/8" Z6 DIN 9611
E	1085
I	1100
P	1020

Overlap

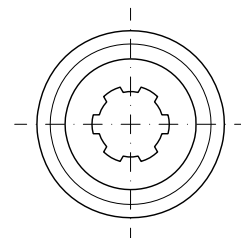
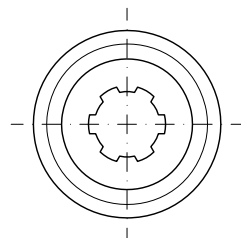
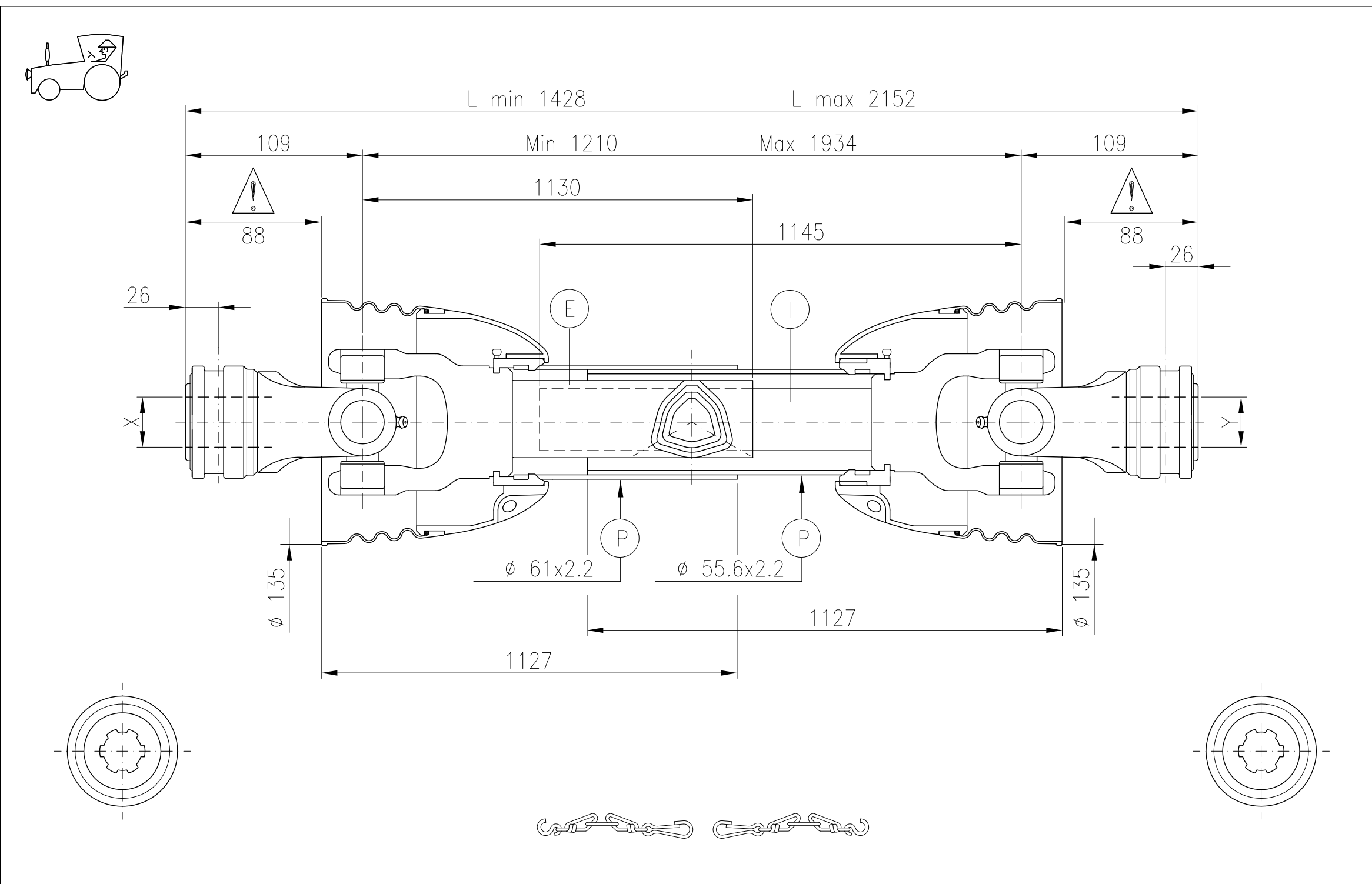
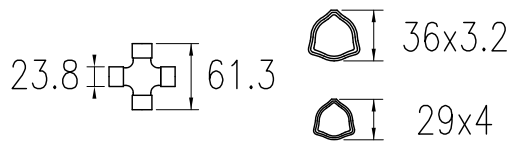
	Steel tubes	Guard
Max.	1065	1000
Min.	341	276

Greasing point

1)	-
2)	-

The dimensioning is cross to cross

Cross and tubes



Data 540 r.p.m.

Data 1000 r.p.m.

1100 min.⁻¹
r.p.m. max.

Data for only critical velocity

KW	CV	Data 540 r.p.m.		Data 1000 r.p.m.		Data for only critical velocity	
		Nm.	in.lb.	Nm.	in.lb.	540 r.p.m.	1000 r.p.m.
15	21	270	2400	23	31	Max. 1934	Max. 1560
						L max. 2142	L max. 1768

Continuous operation data and conditions, working angle 5°, average life 1000 hours

Checked: Signed by: A.Sa.

Customer:

Date: 07-09-20